

The Shelter Project

Drawing 1b

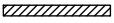
Plan_Scale 1:25

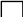
Option 3_14.4sqm

TOTAL SQM = 14.4sqm

Area dalam ruangan = 14.4sqm

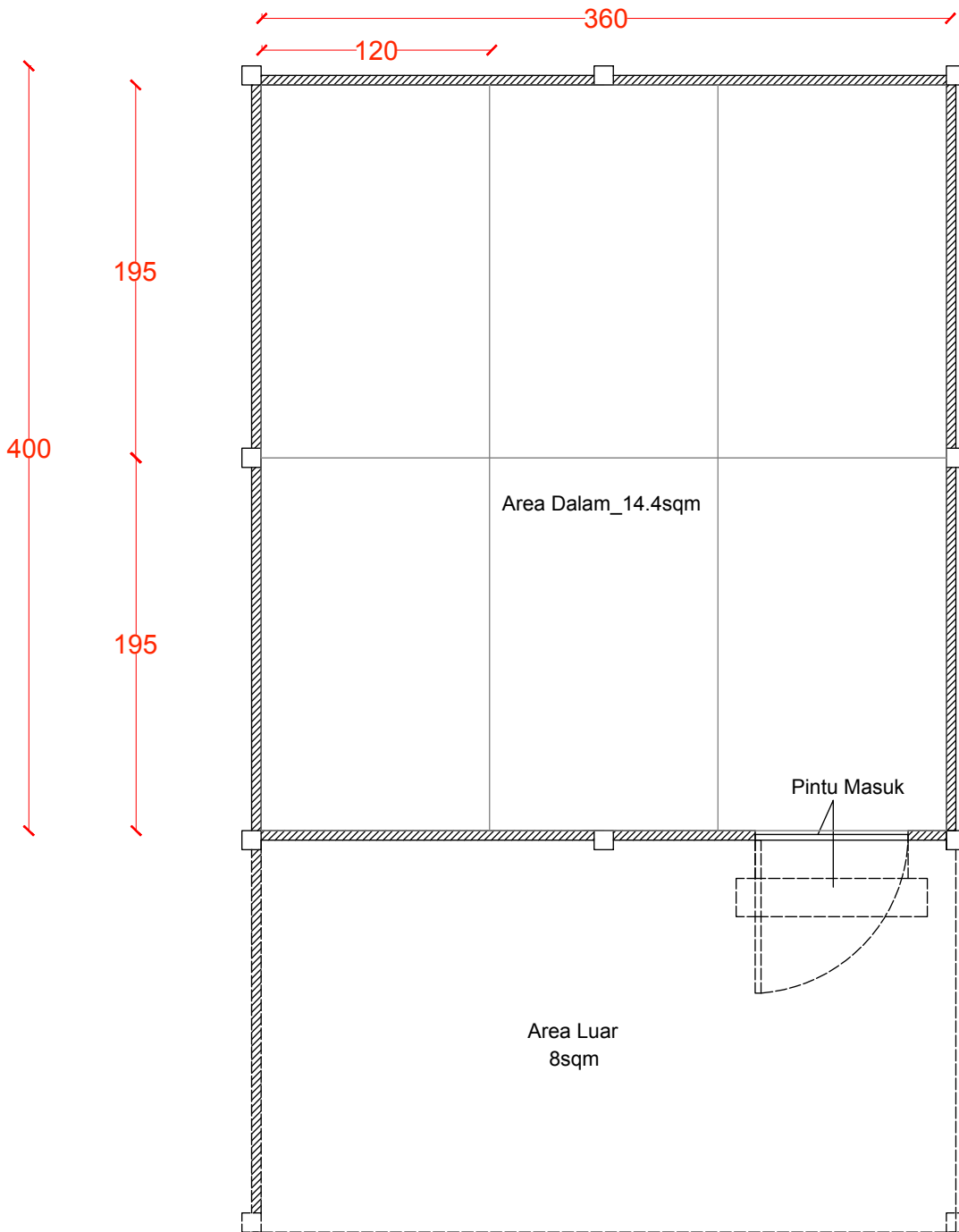
Area luar ruangan = 7.6sqm

 Tembok Bambu + Kayu

 Kolom Kayu

Fondasi: +0.0m

Lantai Rumah: +0.50m



The Shelter Project

Drawing 2

Plan_Scale 1:25

Layout Triplek


TOTAL SQM = 16sqm

Area dalam ruangan = 14.4sqm

Area luar ruangan = 8sqm

 Tembok Bambu + Kayu

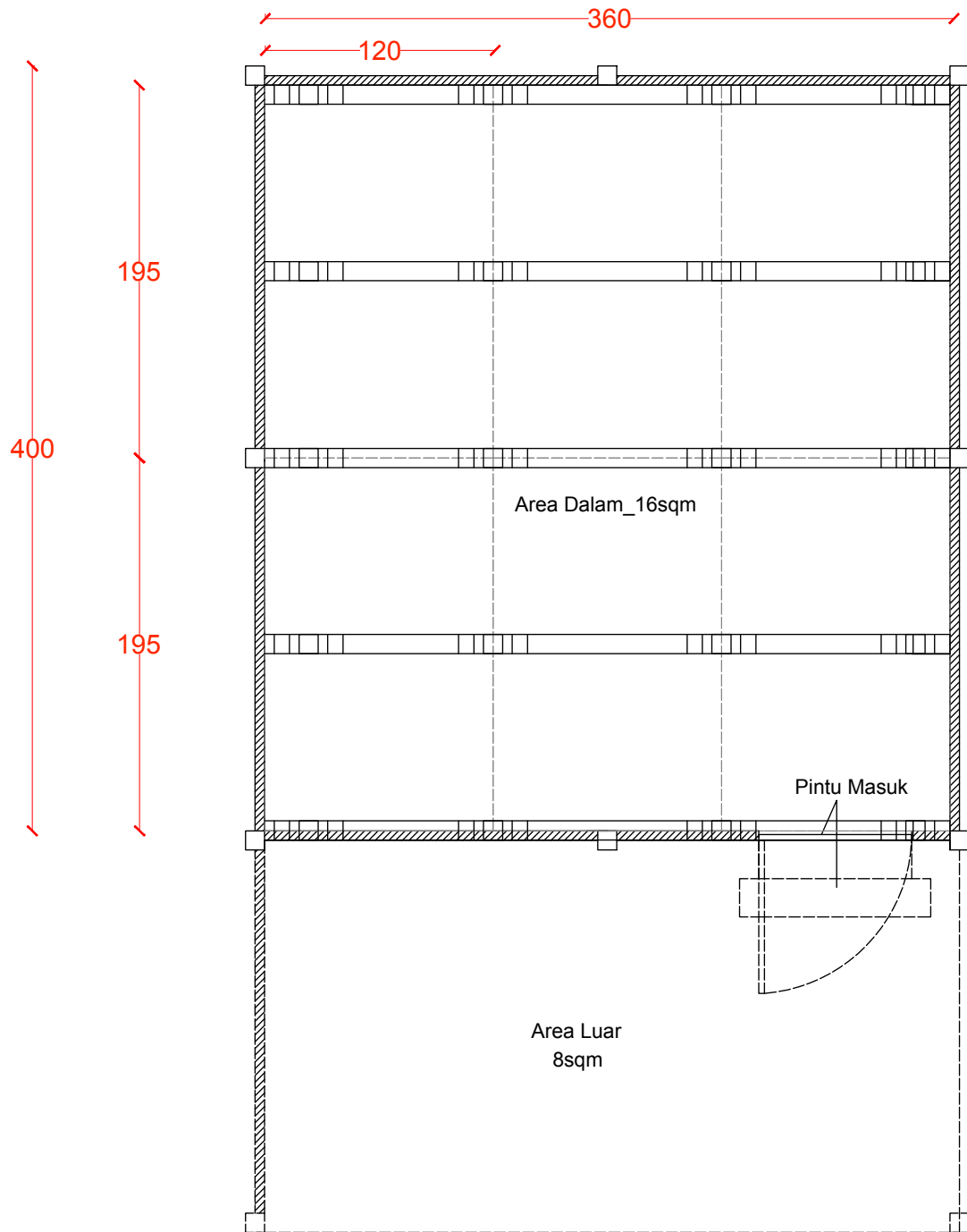
 Kolom Kayu

 12mm Triplek
122cm x 244cm

Lantai Luar: +0.0m

Lantai Rumah: +0.50m

Bahan total: 6 panels of Triplek



The Shelter Project

Drawing 2


Plan_Scale 1:25

Layout Kaki

TOTAL SQM = 16sqm

Area dalam ruangan = 14.4sqm

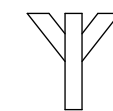
Area luar ruangan = 8sqm

 Tembok Bambu + Kayu

 Kolom Kayu

 Kaki Kayu

43.2



25

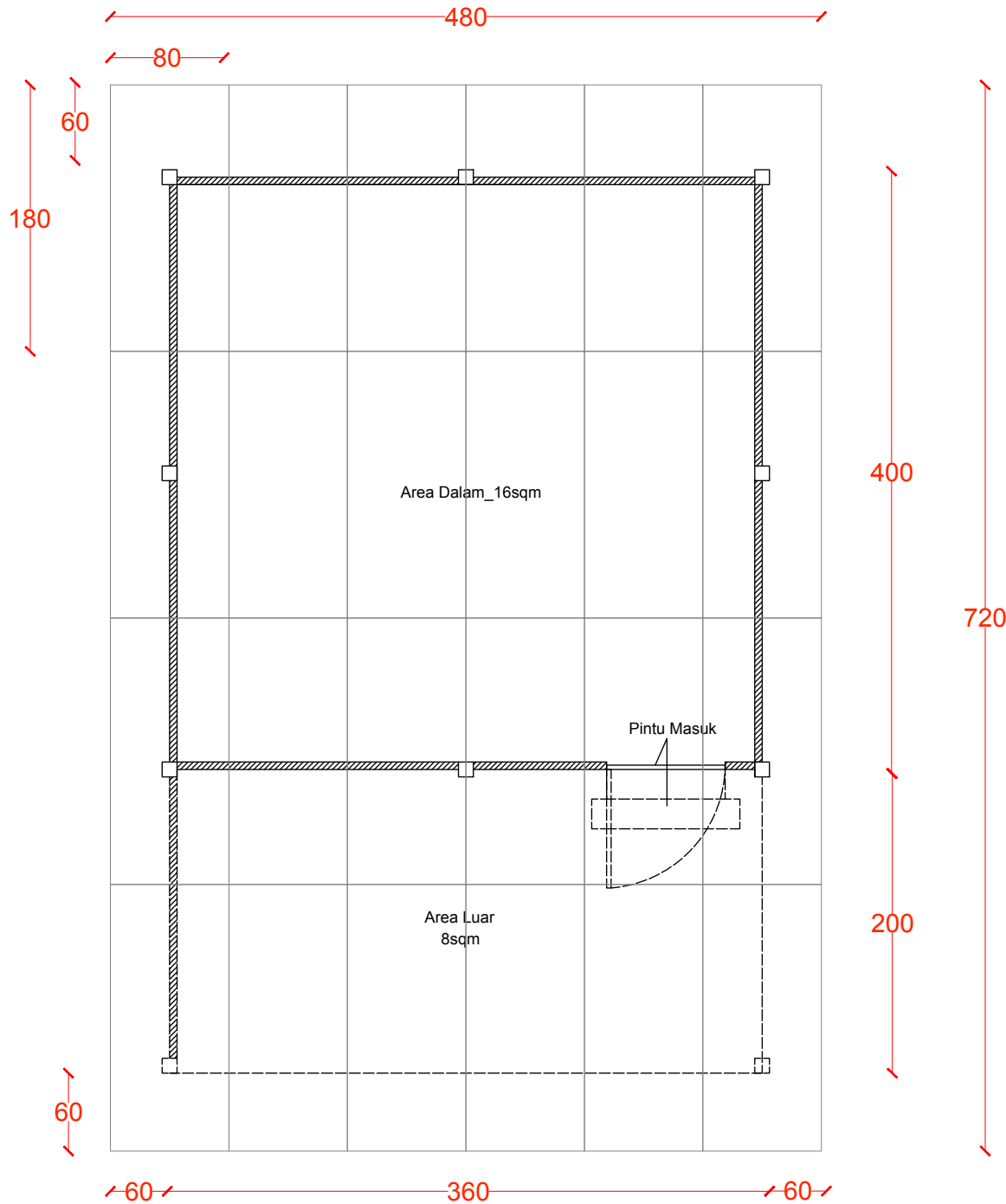
50

Kaki kayu
(bisa pakai sisa kayu dari tembok)

Lantai Luar: +0.0m

Lantai Rumah: +0.50m

Bahan total: 6 panels of Triplek



The Shelter Project

Drawing 4

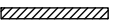
Plan_Scale 1:20

Layout Atap Onduline


TOTAL SQM = 14.4sqm

Area dalam ruangan = 14.4sqm

Area luar ruangan = 7.6sqm

 Tembok Bambu + Kayu

 Kolom Kayu

 Panel Onduline
80cm x 180cm

Fondasi: +0.0m

Lantai Rumah: +0.50m

Bahan total: 24 panels of Onduline

The Shelter Project

Drawing 5a

Plan_Scale 1:25

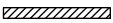
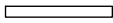

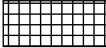
Wall Panel Detail_Left1

TOTAL SQM 1 PANEL = 4sqm

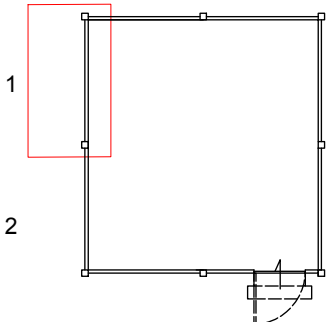
Bahan total: 4 bigi kayu 4m (4cm x 6cm)

Rotan total: 1 bigi (2m x 2m)

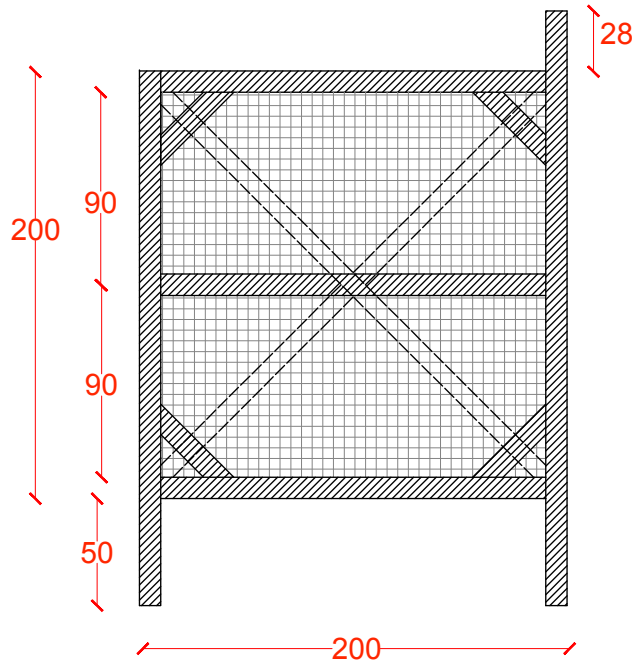
Bambu: 1-2 bigi

-  Kosen Kayu
-  Bambu (setengah)
-  Paku 7cm
-  Rotan

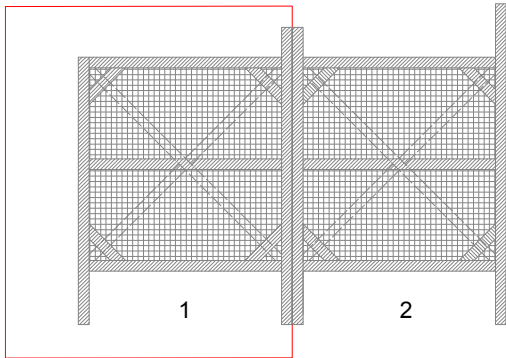
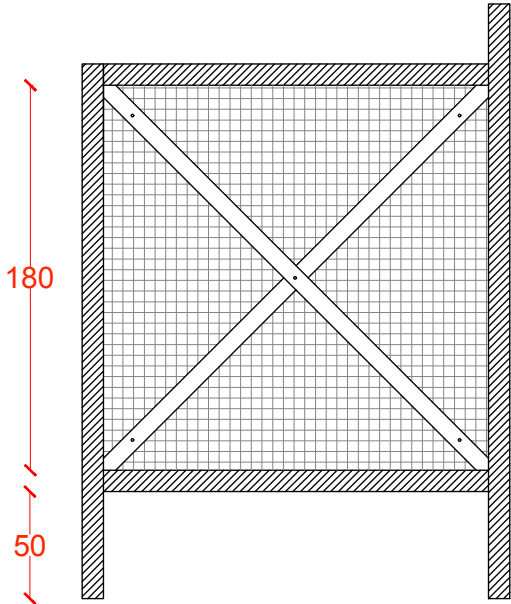
Key map



L1_Dalam Kosen Kayu Struktural



L1_Luar Kosen Bambu + Rotan



The Shelter Project

Drawing 5b

Plan_Scale 1:25

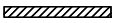
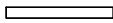

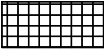
Wall Panel Detail_Left2

TOTAL SQM 1 PANEL = 4sqm

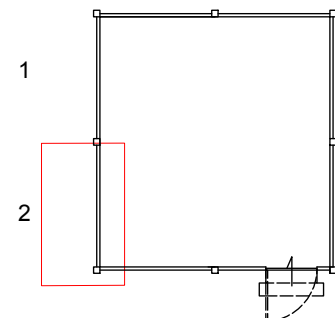
Bahan total: 4 bigi kayu 4m (4cm x 6cm)

Rotan total: 1 bigi (2m x 2m)

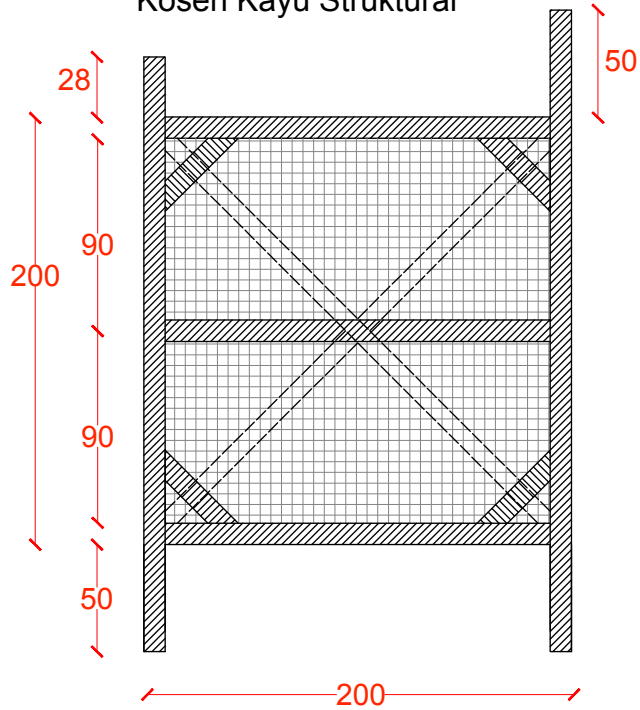
Bambu: 1-2 bigi

	Kosen Kayu
	Bambu (setengah)
	Raku 7cm
	Rotan

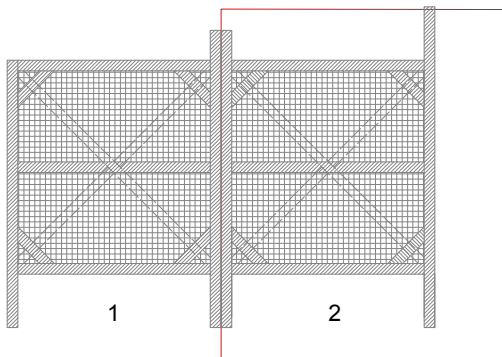
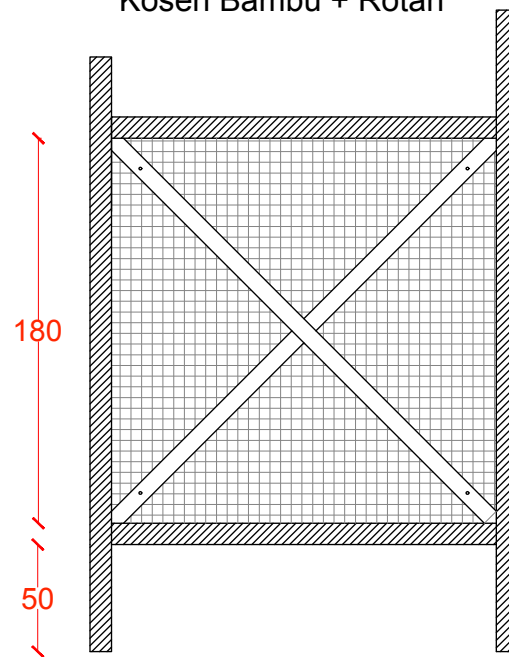
Key map



L2_Dalam
Kosen Kayu Struktural



L2_Luar
Kosen Bambu + Rotan



The Shelter Project

Drawing 5c

Plan_Scale 1:25


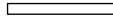

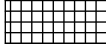
Wall Panel Detail_Right1

TOTAL SQM 1 PANEL = 4sqm

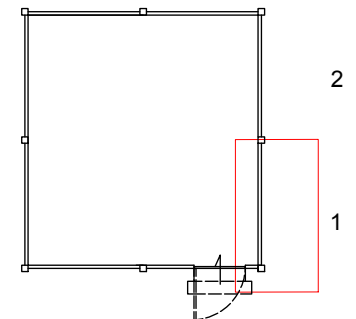
Bahan total: 4 bigi kayu 4m (4cm x 6cm)

Rotan total: 1 bigi (2m x 2m)

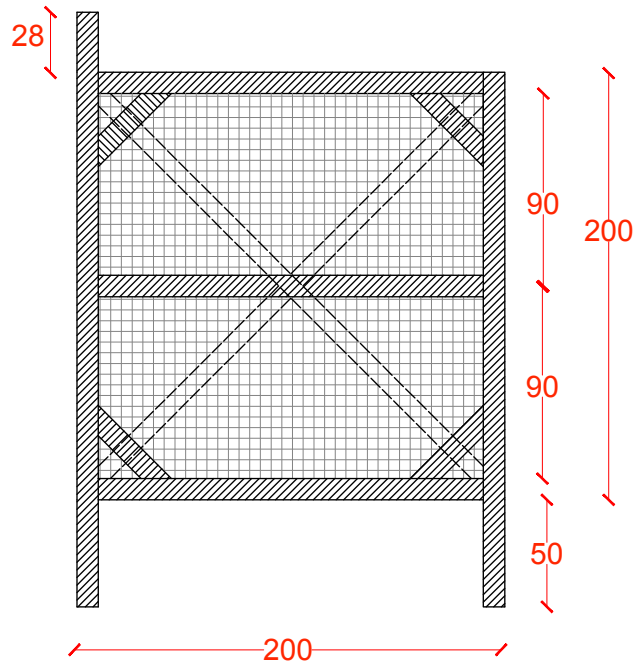
Bambu: 1-2 bigi

-  Kosen Kayu
-  Bambu (setengah)
-  Paku 7cm
-  Rotan

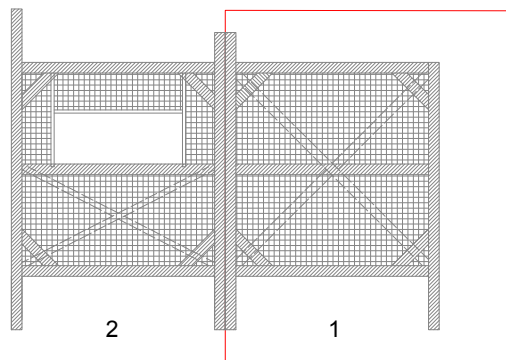
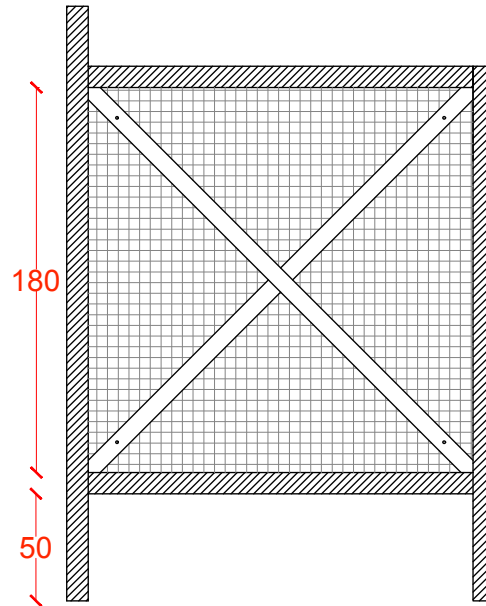
Key map



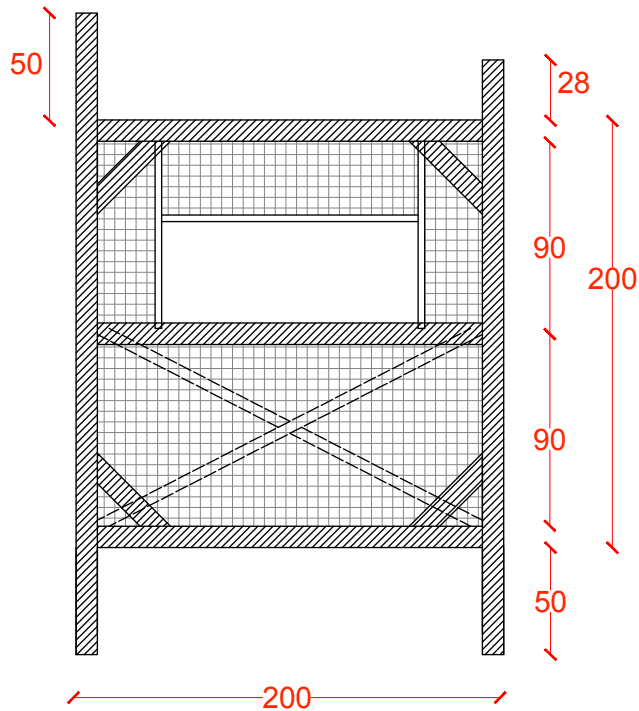
R1_Dalam
Kosen Kayu Struktural



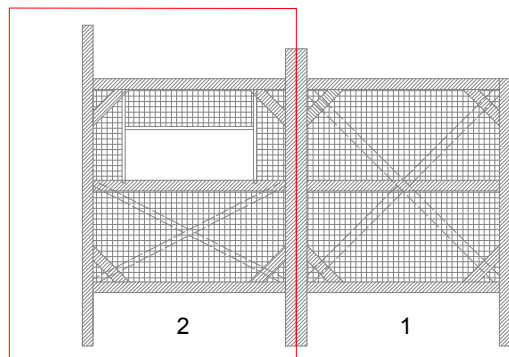
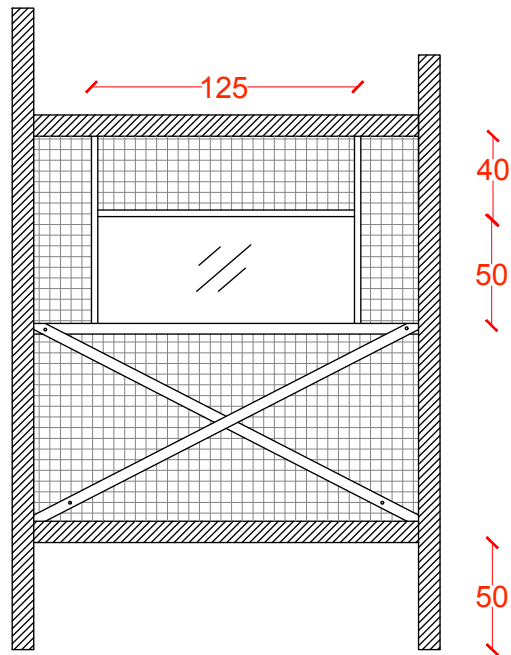
R1_Luar
Kosen Bambu + Rotan



R2_Dalam
Kosen Kayu Struktural



R2_Luar
Kosen Bambu + Rotan



The Shelter Project

Drawing 5d

Plan_Scale 1:25

Wall Panel Detail_Right2



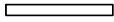

TOTAL SQM 1 PANEL = 4sqm

Bahan total: 4 bigi kayu 4m (4cm x 6cm)

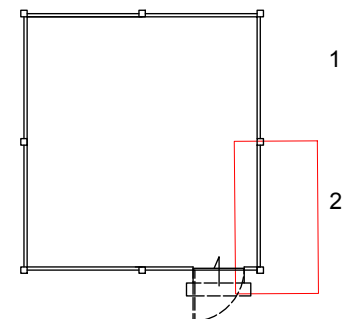
Rotan total: 1 bigi (2m x 2m)

Bambu: 1-2 bigi

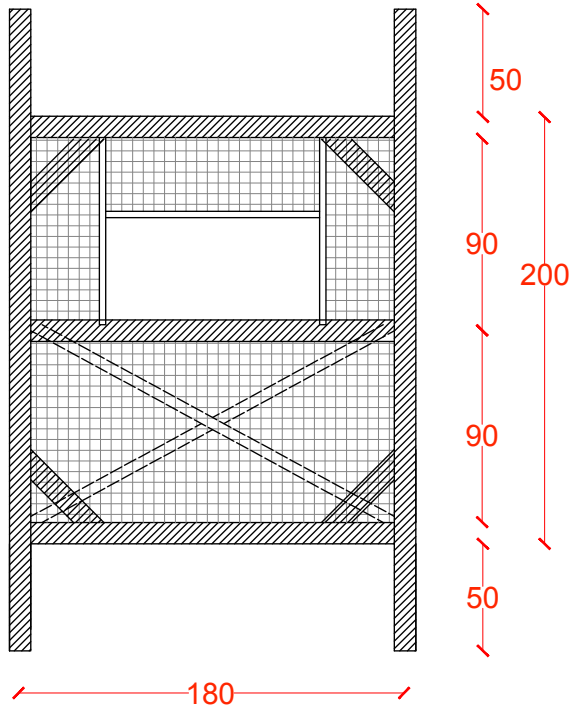
Plastik Tebal (kaca): 1 bigi

-  Kosen Kayu
-  Jendela
-  Bambu (setengah)
- Paku 7cm
-  Rotan

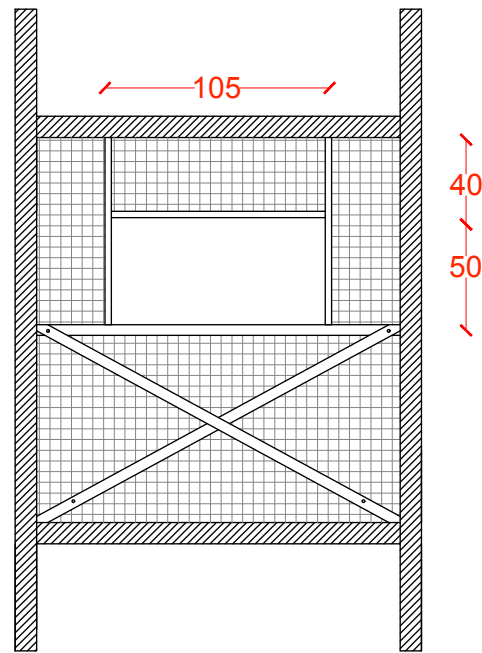
Key map



F1_Dalam
Kosen Kayu Struktural



F1_Luar
Kosen Bambu + Rotan



The Shelter Project

Drawing 5e

Plan_Scale 1:25

Wall Panel Detail_Front1

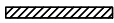
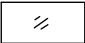
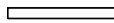

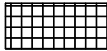
TOTAL SQM 1 PANEL = 4sqm

Bahan total: 4 bigi kayu 4m (4cm x 6cm)

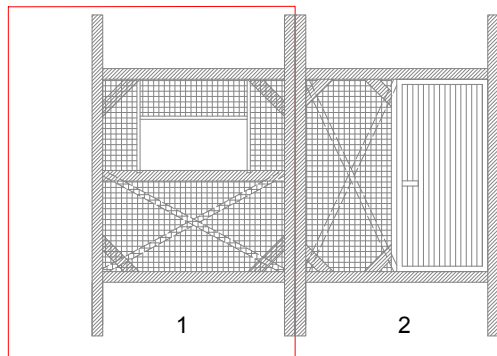
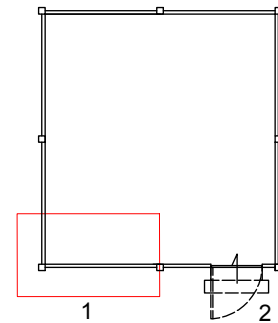
Rotan total: 1 bigi (2m x 2m)

Bambu: 1-2 bigi

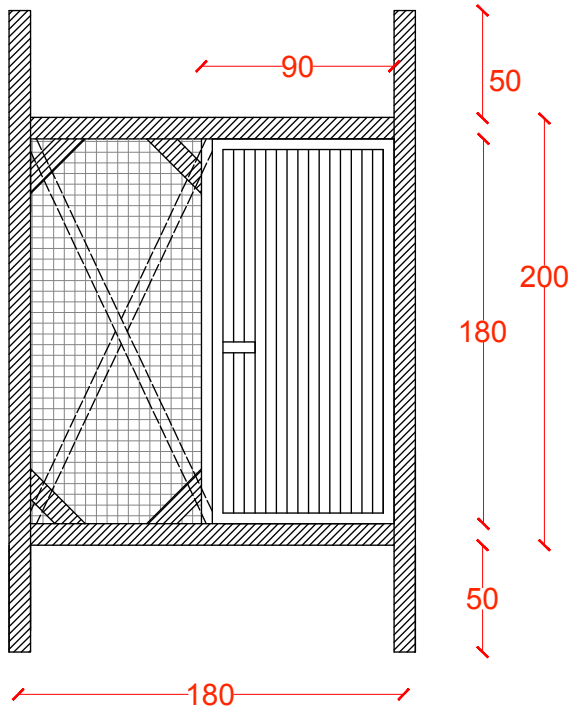
Plastik Tebal (kaca): 1 bigi

	Kosen Kayu		Jendela
	Bambu (setengah)		
	Paku 7cm		
	Rotan		

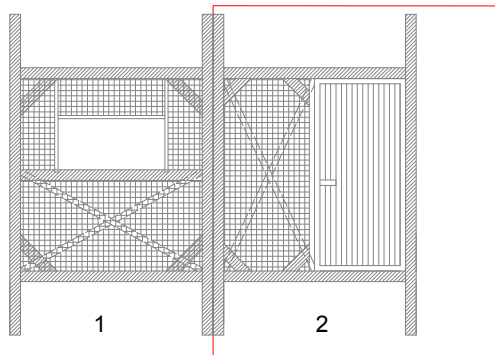
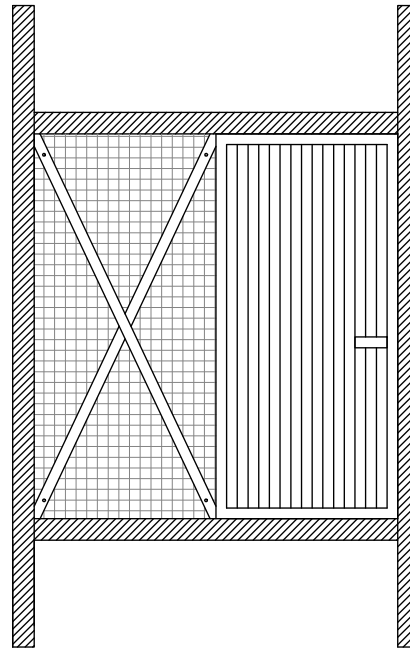
Key map



F2_Dalam
Kosen Kayu Struktural



F2_Luar
Kosen Bambu + Rotan



The Shelter Project

Drawing 5f

Plan_Scale 1:25

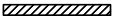
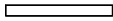


Wall Panel Detail_Front2

TOTAL SQM 1 PANEL = 4sqm

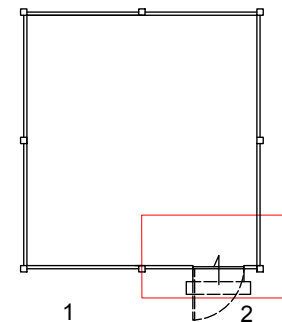
Bahan total: 4 bigi kayu 4m (4cm x 6cm)

Rotan total: 1/2 bigi (2m x 2m)

Bambu: 4-5bigi

-  Kosen Kayu
-  Bambu (setengah)
-  Paku 7cm
-  Rotan

Key map



The Shelter Project

Drawing 5g

Plan_Scale 1:25





Wall Panel Detail_Back1

TOTAL SQM 1 PANEL = 4sqm

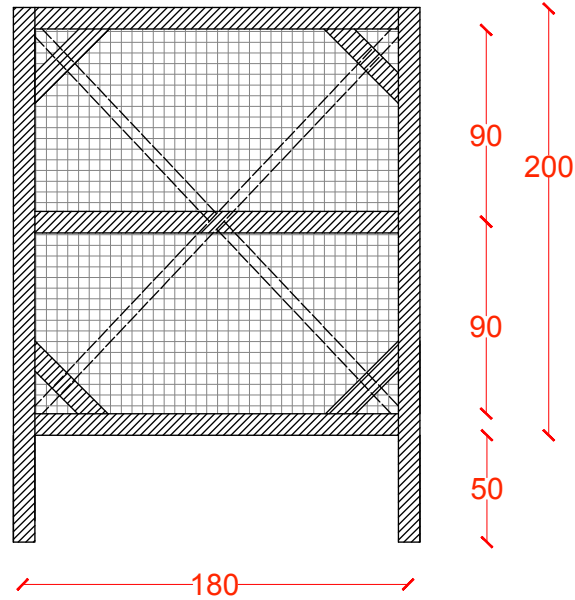
Bahan total: 4 bigi kayu 4m (4cm x 6cm)

Rotan total: 1 bigi (2m x 2m)

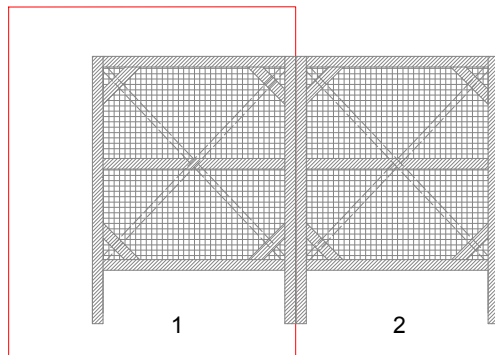
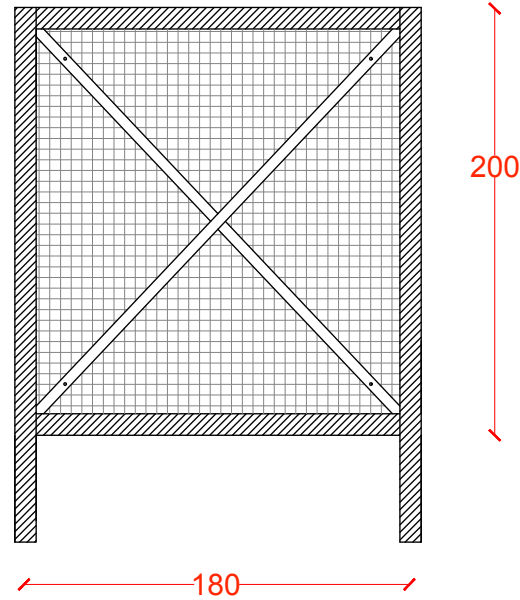
Bambu: 1-2 bigi

	Kosen Kayu
	Bambu (setengah)
	Paku 7cm
	Rotan

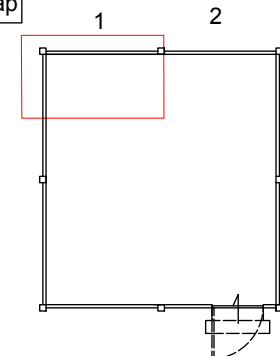
B1_Dalam
Kosen Kayu Struktural



B1_Luar
Kosen Bambu + Rotan



Key map



The Shelter Project

Drawing 5h

Plan_Scale 1:25

Wall Panel Detail_Back2

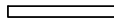
TOTAL SQM 1 PANEL = 4sqm

Bahan total: 4 bigi kayu 4m (4cm x 6cm)

Rotan total: 1 bigi (2m x 2m)

Bambu: 1-2 bigi

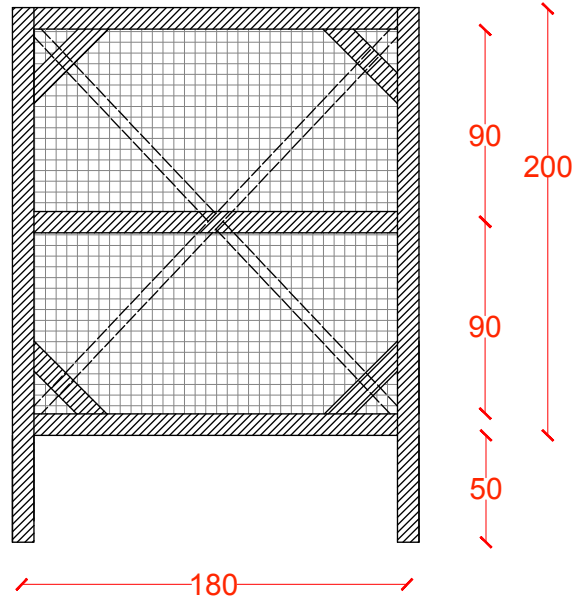
 Kosen Kayu

 Bambu (setengah)

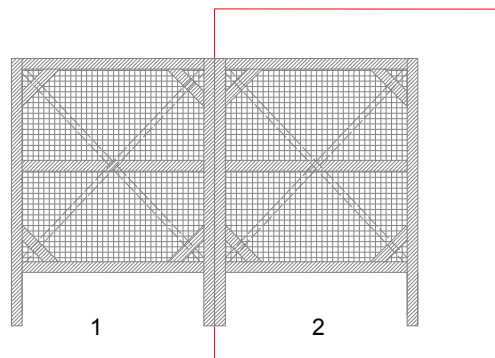
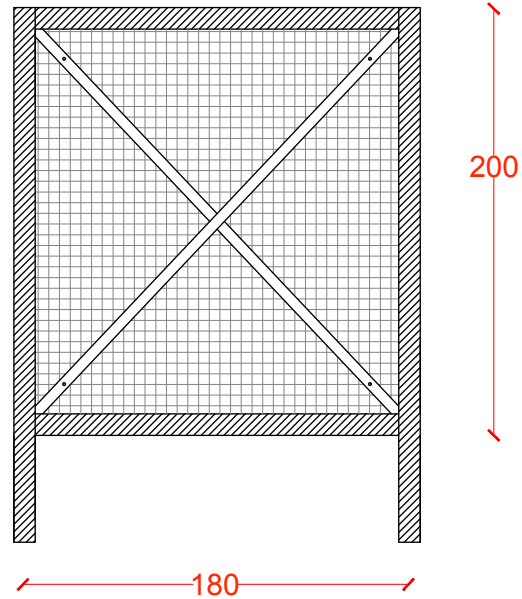
 Paku 7cm

 Rotan

B2_Dalam
Kosen Kayu Struktural



B2_Luar
Kosen Bambu + Rotan



Key map

